

SKW steel wire rope - snatch block with swivel hook

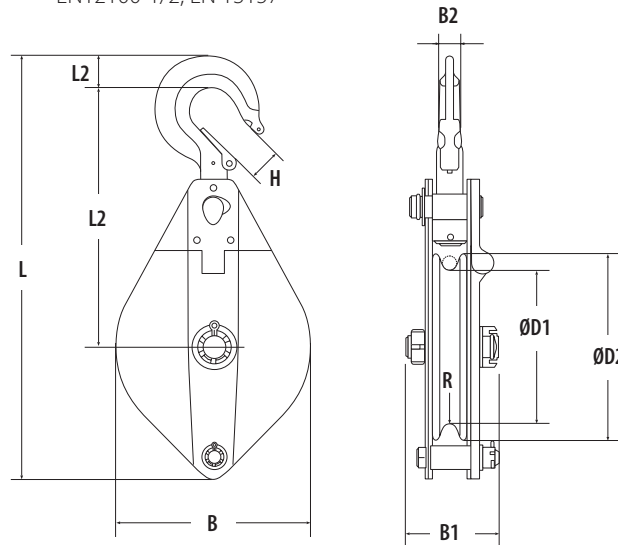


Properties

- Equipped with swivel hook.
- Steel housing.
- Side opening link permits quick, easy insertion of rope or cable without threading.
- Sheave is made of high-quality steel with a groove.

Norm:

- EN12100-1/2, EN 13157



Type	WLL (kg)	Cable diameter (mm)	B (mm)	B1 (mm)	B2 (mm)	D1 (mm)	D2 (mm)	H (mm)	L (mm)	L1 (mm)	L2 (mm)	R (mm)	Weight (kg)	ProductId
SKW-10	1000	7	118	76	17	85	105	23	305	200	23	4	3.3	3060001
SKW-20	2000	13	199	92	24	150	190	27	425	263	30	7	8,9	3060003
SKW-32	3200	15	230	108	28	180	220	21	496	295	40	9	15.5	3060005
SKW-64	6400	18	270	116	35	210	260	42	655	375	47	10	26.5	3060007